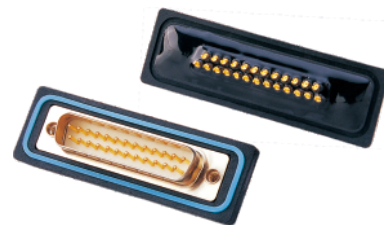
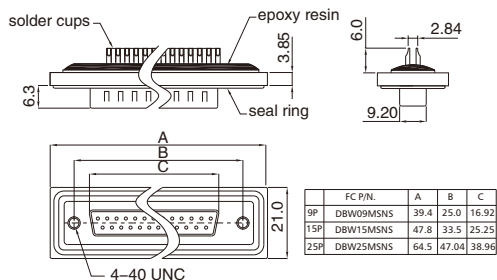


D-Sub Male Panel Mount, Solder

- Connector series: D-Sub
- Gender: Male
- Locking type: Fix screw
- Mounting type: Front fastened
- Part No.: DBW**MSNS

** refers to pins number



RoHS

General information

Ambient temperature:	-25°C ~ +70°C
Connector insert:	PBT+GF
Connector contacts:	Brass gold plated
Coupling nut/screw:	Brass nickel plated
Seal / O-ring:	FKM

Insulation resistance:	≥ 1000MΩ
Contact resistance :	≤ 10mΩ
Shielding:	Unavailable
IP rating:	IP67 in locked condition

Electrical data & Mechanical data

Contacts	Contacts termination	Rated current	Voltage		Part No.
			A/C	D/C	
D-Sub 9P 	Solder version	5A	300V	300V	DBW09MSNS
D-Sub 15P 	Solder version	5A	300V	300V	DBW15MSNS
D-Sub 25P 	Solder version	5A	300V	300V	DBW25MSNS

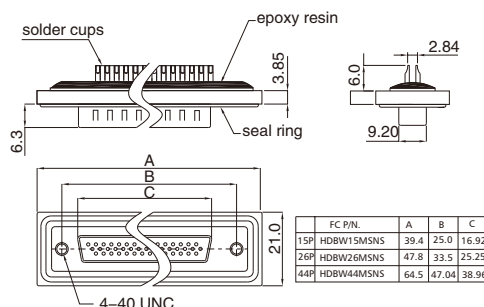
Remarks

- Please refer to Page 449 for products' part number encoding rule.

D-Sub Male Panel Mount, Solder

- Connector series: D-Sub
- Gender: Male
- Locking type: Fix screw
- Mounting type: Front fastened
- Part No.: HDBW**MSNS

** refers to pins number



General information

Ambient temperature:	-25°C ~ +70°C
Connector insert:	PBT+GF
Connector contacts:	Brass gold plated
Coupling nut/screw:	Brass nickel plated
Seal / O-ring:	FKM

Insulation resistance:	≥ 1000MΩ
Contact resistance :	≤ 10mΩ
Shielding:	Unavailable
IP rating:	IP67 in locked condition

Electrical data & Mechanical data

Contacts	Contacts termination	Rated current	Voltage		Part No.
			A/C	D/C	
D-Sub 15P 	Solder version	5A	300V	300V	HDBW09MSNS
D-Sub 26P 	Solder version	5A	300V	300V	HDBW26MSNS
D-Sub 44P 	Solder version	5A	300V	300V	HDBW44MSNS

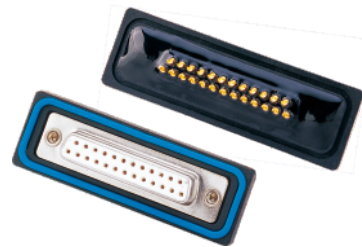
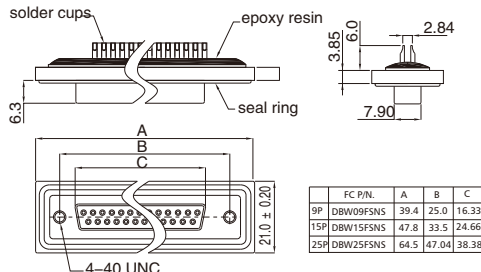
Remarks

- Please refer to Page 449 for products' part number encoding rule.

D-Sub Female Panel Mount, Solder

- Connector series: D-Sub
- Gender: Female
- Locking type: Fix screw
- Mounting type: Front fastened
- Part No.: DBW**FSNS

** refers to pins number



RoHS

General information

Ambient temperature:	-25°C ~ +70°C
Connector insert:	PBT+GF
Connector contacts:	Brass gold plated
Coupling nut/screw:	Brass nickel plated
Seal / O-ring:	FKM

Insulation resistance:	≥ 1000MΩ
Contact resistance :	≤ 10mΩ
Shielding:	Unavailable
IP rating:	IP67 in locked condition

Electrical data & Mechanical data

Contacts	Contacts termination	Rated current	Voltage		Part No.
			A/C	D/C	
D-Sub 9P 	Solder version	5A	300V	300V	DBW09FSNS
D-Sub 15P 	Solder version	5A	300V	300V	DBW15FSNS
D-Sub 25P 	Solder version	5A	300V	300V	DBW25FSNS

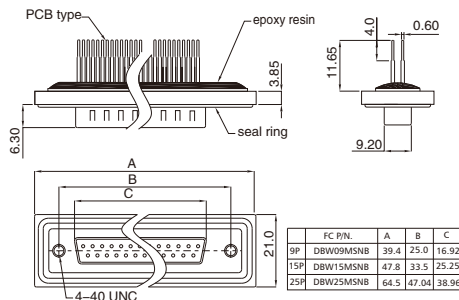
Remarks

- Please refer to Page 449 for products' part number encoding rule.

D-Sub Male Panel Mount, PCB Type

- Connector series: D-Sub
- Gender: Male
- Locking type: Fix screw
- Mounting type: Front fastened
- Part No.: DBW**MSNB

** refers to pins number



RoHS

General information

Ambient temperature:	-25°C ~ +70°C
Connector insert:	PBT+GF
Connector contacts:	Brass gold plated
Coupling nut/screw:	Brass nickel plated
Seal / O-ring:	FKM

Insulation resistance:	≥ 1000MΩ
Contact resistance :	≤ 10mΩ
Shielding:	Unavailable
IP rating:	IP67 in locked condition

Electrical data & Mechanical data

Contacts	Contacts termination	Rated current	Voltage		Part No.
			A/C	D/C	
D-Sub 9P 	PCB version	5A	300V	300V	DBW09MSNB
D-Sub 15P 	PCB version	5A	300V	300V	DBW15MSNB
D-Sub 25P 	PCB version	5A	300V	300V	DBW25MSNB

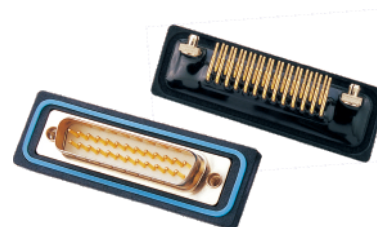
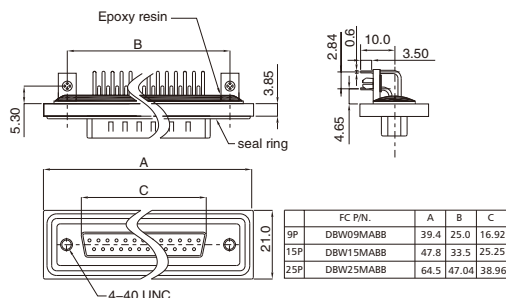
Remarks

- Please refer to Page 449 for products' part number encoding rule.

D-Sub Male Panel Mount, Angled Contacts PCB Type

- Connector series: D-Sub
- Gender: Male
- Locking type: Fix screw
- Mounting type: Front fastened
- Part No.: DBW**MABB

** refers to pins number



RoHS

General information

Ambient temperature:	-25°C ~ +70°C
Connector insert:	PBT+GF
Connector contacts:	Brass gold plated
Coupling nut/screw:	Brass nickel plated
Seal / O-ring:	FKM

Insulation resistance:	≥ 1000MΩ
Contact resistance :	≤ 10mΩ
Shielding:	Unavailable
IP rating:	IP67 in locked condition

Electrical data & Mechanical data

Contacts	Contacts termination	Rated current	Voltage		Part No.
			A/C	D/C	
D-Sub 9P	PCB version	5A	300V	300V	DBW09MABB
D-Sub 15P	PCB version	5A	300V	300V	DBW15MABB
D-Sub 25P	PCB version	5A	300V	300V	DBW25MABB

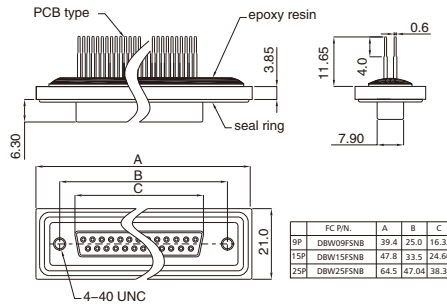
Remarks

- Please refer to Page 449 for products' part number encoding rule.

D-Sub Female Panel Mount, PCB Type

- Connector series: D-Sub
- Gender: Female
- Locking type: Fix screw
- Mounting type: Front fastened
- Part No.: DBW**FSNB

** refers to pins number



General information

Ambient temperature:	-25°C ~ +70°C
Connector insert:	PBT+GF
Connector contacts:	Brass gold plated
Coupling nut/screw:	Brass nickel plated
Seal / O-ring:	FKM

Insulation resistance:	≥ 1000MΩ
Contact resistance :	≤ 10mΩ
Shielding:	Unavailable
IP rating:	IP67 in locked condition

Electrical data & Mechanical data

Contacts	Contacts termination	Rated current	Voltage		Part No.
			A/C	D/C	
D-Sub 9P 	PCB version	5A	300V	300V	DBW09FSNB
D-Sub 15P 	PCB version	5A	300V	300V	DBW15FSNB
D-Sub 25P 	PCB version	5A	300V	300V	DBW25FSNB

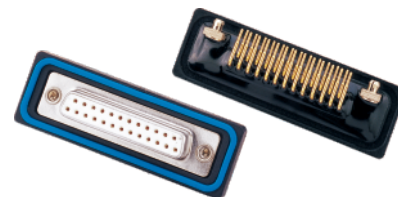
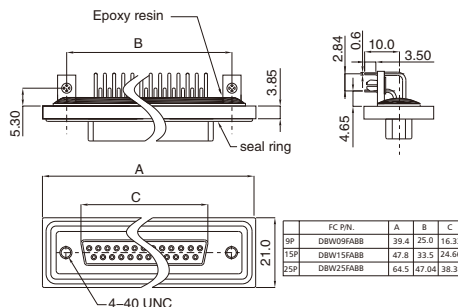
Remarks

- Please refer to Page 449 for products' part number encoding rule.

D-Sub Female Panel Mount, Angled Contacts PCB Type

- Connector series: D-Sub
- Gender: Female
- Locking type: Fix screw
- Mounting type: Front fastened
- Part No.: DBW**FABB

** refers to pins number



RoHS

General information

Ambient temperature:	-25°C ~ +70°C
Connector insert:	PBT+GF
Connector contacts:	Brass gold plated
Coupling nut/screw:	Brass nickel plated
Seal / O-ring:	FKM

Insulation resistance:	≥ 1000MΩ
Contact resistance :	≤ 10mΩ
Shielding:	Unavailable
IP rating:	IP67 in locked condition

Electrical data & Mechanical data

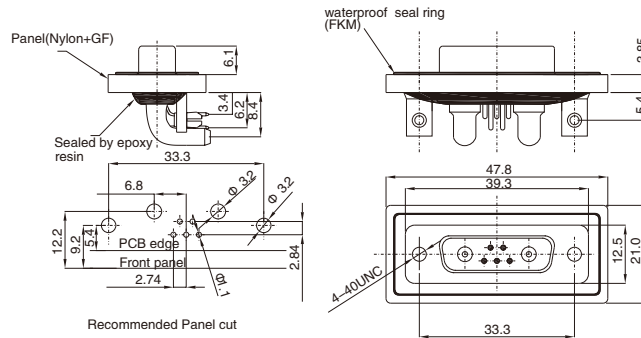
Contacts	Contacts termination	Rated current	Voltage		Part No.
			A/C	D/C	
D-Sub 9P 	PCB version	5A	300V	300V	DBW09FABB
D-Sub 15P 	PCB version	5A	300V	300V	DBW15FABB
D-Sub 25P 	PCB version	5A	300V	300V	DBW25FABB

Remarks

- Please refer to Page 449 for products' part number encoding rule.

D-Sub Male Panel mount, Angled Contacts PCB type

- Connector series: D-Sub
- Gender: Male
- Locking type: Fix screw
- Mounting type: Front fastened
- Part No.: DBW7W2MANB-A



General information

Ambient temperature:	-20°C ~ +70°C
Connector insert:	PBT+GF
Connector contacts:	Brass gold plated
Coupling nut/screw:	Brass nickel plated
Seal / O-ring:	FKM

Insulation resistance:	≥ 1000MΩ
Contact resistance :	≤ 10mΩ
Shielding:	Unavailable
Mating cycles:	> 1000
IP rating:	IP67 in locked condition

Electrical data & Mechanical data

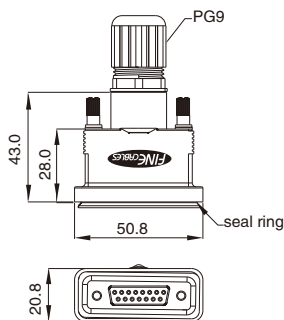
Contacts	Contacts termination	Rated current	Voltage		Part No.
			A/C	D/C	
D-Sub 7W2	PCB version	(PinA1&A2)30A	300V	300V	DBW7W2MANB-A
	PCB version	(Pin1~5)5A	300V	300V	

Remarks

- Please refer to Page 449 for products' part number encoding rule.

D-Sub Field Wirable Assembly

- Connector series: D-Sub 15P assembly
- Gender: Male/Female
- Locking type: Fix screw
- Mounting type: Front fastened
- Part No.: DBW15MSNS-A(male)
DBW15FSNS-A(female)



RoHS

General information

Ambient temperature:	-25°C ~ +70°C
Connector insert:	PBT+GF
Connector contacts:	Brass gold plated
Coupling nut/screw:	Brass nickel plated
Seal / O-ring:	FKM

Insulation resistance:	≥ 1000MΩ
Contact resistance :	≤ 10mΩ
Shielding:	Unavailable
IP rating:	IP67 in locked condition

Electrical data & Mechanical data

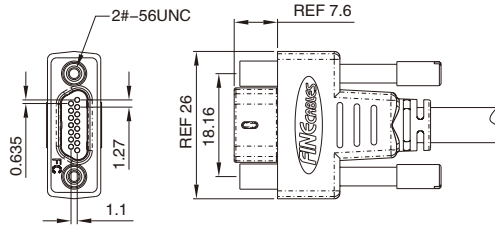
Contacts	Rated current	Voltage		Part No.
		A/C	D/C	
 male	5A	300V	300V	DBW15MSNS-A
 female	5A	300V	300V	DBW15FSNS-A

Remarks

- Please refer to Page 449 for products' part number encoding rule.

Micro D-Sub Molded Cable

- Connector series: Micro D-sub
 - Gender: Female
 - Locking type: Fix screw
 - Mounting type: Straight
 - Part No.: DBW15FS-XXXXXX
- X refers to cable specification

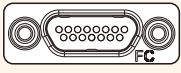


General information

Ambient temperature:	-20°C ~ +80°C
Connector insert:	PBT
Connector contacts:	Brass gold plated
Connector nut/screw:	Brass nickel plated

Insulation resistance:	≥ 100MΩ
Contact resistance :	≤ 5mΩ
Shielding:	Available

Electrical data & Mechanical data

Contacts	Rated current	Voltage		Wire gauge / size		Cable jacket	Part No.
		A/C	D/C	AWG	mm ²		
Micro D-sub  15P	1A	350V	350V	26~28	0.08~0.15	PUR/PVC	DBW15FS-XXXB15

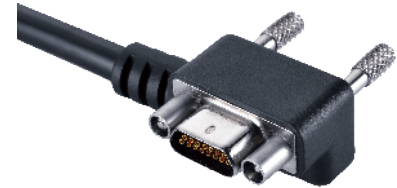
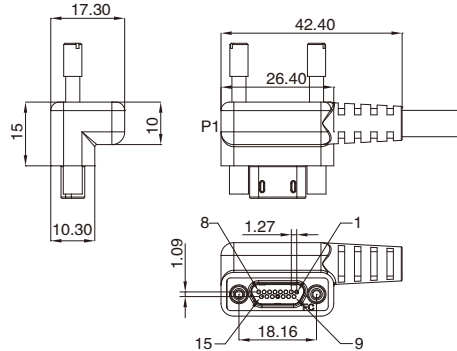
Note: X refers to cable specification

Remarks

- Please refer to Page 578 for the Conversion between American Wire Gauge AWG and Wire Cross-section mm².
- Please refer to Page 449 for products' part number encoding rule.

Micro D-Sub Molded Cable, Right angled

- Connector series: Micro D-sub
 - Gender: Female
 - Locking type: Fix screw
 - Mounting type: Right angled
 - Part No.: DBW15FA-XXXXXX
- X refers to cable specification



RoHS

General information

Ambient temperature:	-20°C ~ +80°C
Connector insert:	PBT
Connector contacts:	Brass gold plated
Connector nut/screw:	Brass nickel plated

Insulation resistance:	≥ 100MΩ
Contact resistance :	≤ 5mΩ
Shielding:	Available

Electrical data & Mechanical data

Contacts	Rated current	Voltage		Wire gauge / size		Cable jacket	Part No.
		A/C	D/C	AWG	mm ²		
Micro D-sub 15P	1A	350V	350V	26~28	0.08~0.15	PUR/PVC	DBW15FA- <u>XXX</u> B15

Note: X refers to cable specification

Remarks

- Please refer to Page 578 for the Conversion between American Wire Gauge AWG and Wire Cross-section mm².
- Please refer to Page 449 for products' part number encoding rule.